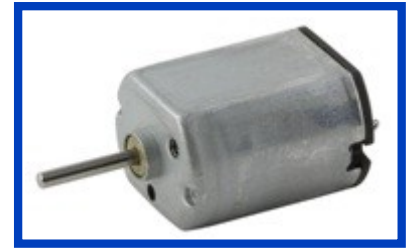
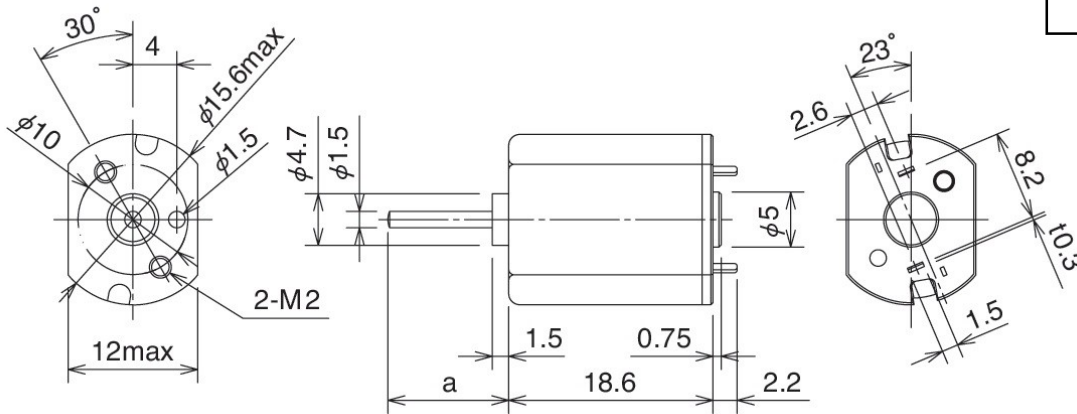


PPN7



Weight: 10 g

Outline UNIT:mm



Specifications

Model	Operating Voltage (V)	Rated Voltage (V)	No Load Speed (min ⁻¹)	No Load Current (mA)	Rated Load		Rated Load Speed (min ⁻¹)	Rated Load Current (mA)	Starting Torque		Starting Current (mA)	Shaft Length a (mm)
					(gf·cm)	(mN·m)			(gf·cm)	(mN·m)		
PPN7PA08B	2 to 7	2.5	3042	21	1.0	0.10	2594	35	6.9	0.7	118	a=7
PPN7PA09C	2 to 7	6.0	10575	47	5.0	0.49	7997	144	20.5	2.0	443	a=11
PPN7PA10C	2 to 7	6.0	12003	47	5.0	0.49	9463	157	23.6	2.3	567	a=11
PPN7PA11B	2 to 7	5.0	12046	57	5.0	0.49	9421	191	22.7	2.2	673	a=7
PPN7PA12C	2 to 7	5.0	14033	84	5.1	0.50	11605	235	29.5	2.9	957	a=11

Characteristics

