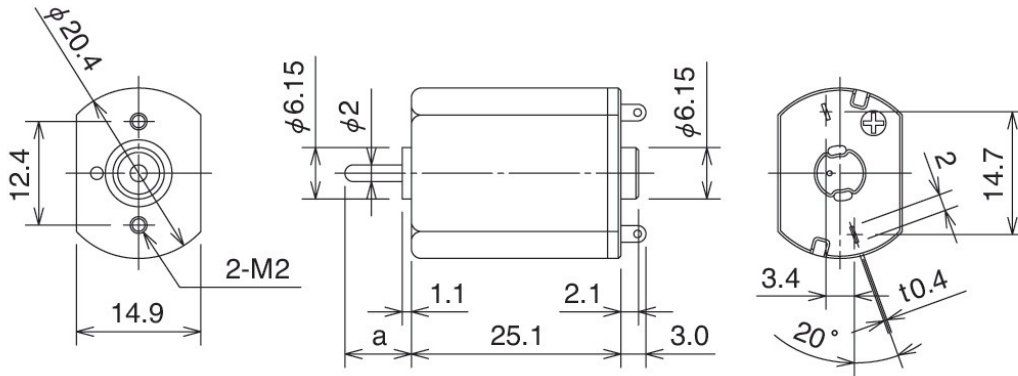




Weight: 24.3g

**Outline** UNIT:mm



**Specifications**

Model	Operating Voltage (V)	Rated Voltage (V)	No Load Speed (min-1)	No Load Current (mA)	Rated Load		Rated Load Speed (min-1)	Rated Load Current (mA)	Starting Torque		Starting Current (mA)	Shaft Length a (mm)
					(gf·cm)	(mN·m)			(gf·cm)	(mN·m)		
PWN10EB12C	5 to 15	12.0	6880	32	20.0	1.96	4871	165	68.5	6.7	487	a=11.35

**Characteristics**

