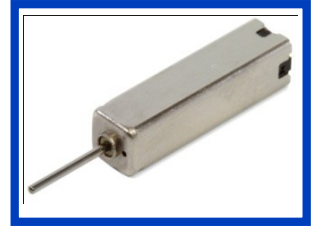
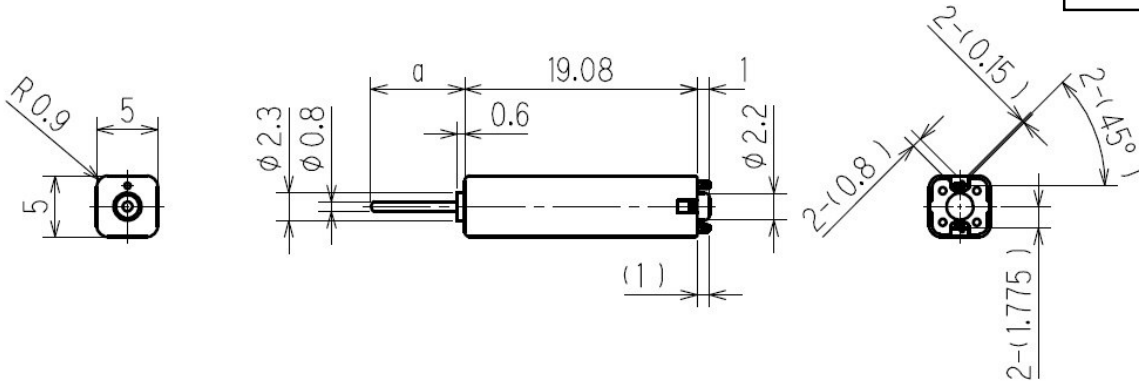


# SE5J



Weight: 2.0 g

**Outline** UNIT:mm



## Specifications

Model	Operating Voltage (V)	Rated Voltage (V)	No Load Speed (min <sup>-1</sup> )	No Load Current (mA)	Rated Load		Rated Load Speed (min <sup>-1</sup> )	Rated Load Current (mA)	Starting Torque		Starting Current (mA)	Shaft Length a (mm)
					(gf·cm)	(mN·m)			(gf·cm)	(mN·m)		
SE5J0RTMA	2 to 4.5	3.0	17200	43	2.5	0.245	7800	214	4.6	0.45	357	a=9

## Characteristics

