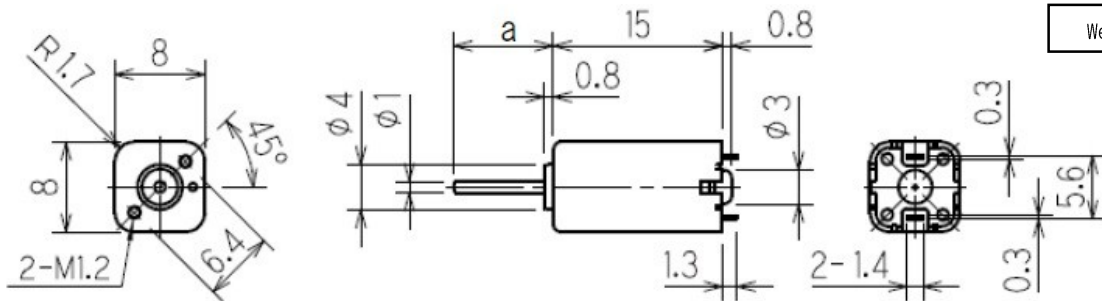


SE8G



Weight: 3.9 g

Outline UNIT:mm



Specifications

Model	Operating Voltage (V)	Rated Voltage (V)	No Load Speed (min ⁻¹)	No Load Current (mA)	Rated Load		Rated Load Speed (min ⁻¹)	Rated Load Current (mA)	Starting Torque		Starting Current (mA)	Shaft Length a (mm)		
					(gf·cm)	(mN·m)			(gf·cm)	(mN·m)		6.8	8.8	10.8
SE8G0NTM*	1 to 5	4.5	12500	25	2.0	0.2	9650	88	9.0	0.88	300	6.8	8.8	10.8

Characteristics

