

RBT

ROD END FEMALE **SELF-LUBRICATING** **2 PIECE**

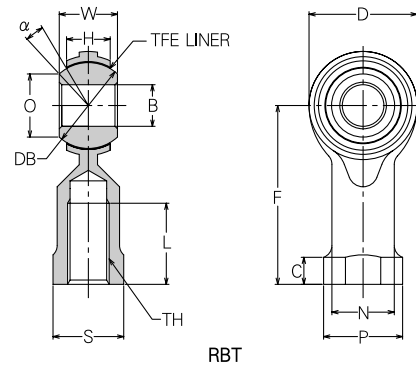
Materials

BODY 303 Stainless Steel
BALL 440C Stainless Steel
LINER Teflon / Fabric

Description of Types

RBT D L xx T

- No Letter Indicates Standard Breakaway Torque
Letter "T" Indicates Low Breakaway Torque
- Bearing Bore Code
- No Letter Indicates Right Hand Thread
Letter "L" Indicates Right Hand Thread
- For X-1276 LINER add suffix "D"
- Basic Part No.



Dimensions in mm

MINEBEA Part No.	ϕB H7	ϕD ± 0.5	$\frac{W}{O}$ -0.13	H ± 0.3	F ± 0.5	TH JIS Class 2	L ± 0.7	ϕN ± 0.5	ϕP ± 0.5	C ± 0.7	S ± 0.25	α (deg.)	ϕO Ref.	S ϕ DB Ref.	Radial Static Limit Load kN	Static Ultimate Load kN	Approx. Weight g
RBT3	3	12	6	4.50	21	M3 × 0.5	10.0	6.5	8.0	3.0	7	11	6.8	9.04	0.41	1.66	10
RBT4	4	14	7	5.25	24	M4 × 0.7	12.0	8.0	9.5	4.0	8	12	7.6	10.32	0.60	2.45	12
RBT5	5	16	8	6.00	27	M5 × 0.8	12.5	9.0	11.0		9		8.8	11.91	0.98	7.84	16
RBT6	6	18	9	6.75	30	M6 × 1.0	13.5	10.0	13.0	5.0	11	10	11.1	14.29	1.44	8.62	25
RBT8	8	22	12	9.00	36	M8 × 1.25	16.0	12.5	16.0		14		12.7	17.46	2.69	11.76	43
RBT10	10	26	14	10.50	43	M10 × 1.5	19.5	15.0	19.0	6.5	17	12	15.2	20.64	4.16	16.67	72
RBT12	12	30	16	12.00	50	M12 × 1.75	24.0	17.5	22.0		19		17.6	23.81	5.88	23.53	107
RBT14	14	34	19	13.50	57	M14 × 2.0	27.0	20.0	25.0	8.0	22	14	19.2	26.99	6.61	26.47	160
RBT15	15	36	20	14.50	61								30.0	21.0	26.0	15	21.5
RBT16	16	38	21	15.00	64	M16 × 2.0	33.0	22.0	27.0	10.0	27	15	19.4	28.58	8.33	33.34	210
RBT18	18	42	23	16.50	71	M18 × 1.5	36.0	25.0	31.0				30	21.9	31.75	11.52	46.09
RBT20	20	46	25	18.00	77	M20 × 1.5	40.0	27.5	34.0	12.0	32	15	24.4	34.93	12.01	48.05	380
RBT22	22	50	28	20.00	84	M22 × 1.5	43.0	30.0	37.0				36	25.8	38.10	13.48	53.93
RBT25	25	56	31	22.00	94	M24 × 2.0	48.0	33.5	42.0	15.0	41	17	29.6	42.86	17.40	69.62	870
RBT28	28	62	35	24.00	103	M27 × 2.0	53.0	37.5	46.0				32.3	47.63	20.83	83.35	1180
RBT30	30	66	37	25.00	110	M30 × 2.0	56.0	40.0	50.0	34.8	50.80	24.76	99.04	1450			

Notes

- Teflon liner permanently bonded to race I.D.
 - Oscillation load shall be kept within the static load range, as Teflon liner load endurance is greater than body breaking load.
 - Made to order only. (from RBT15 to RBT30)
 - No Load Rotational Breakaway Torque.
 Standard All Size: 0.02 ~ 0.34N · m
 Low Torque All Size: 0.02N · m MAX
 (Radial Clearance 0.05mm MAX)
- Please consult MINEBEA for availability of bearings in this series.

Bore size	~ 3	~ 6	~ 10	~ 18	~ 30
H7 Tolerance (μm)	+ 10 0	+ 12 0	+ 15 0	+ 18 0	+ 21 0