

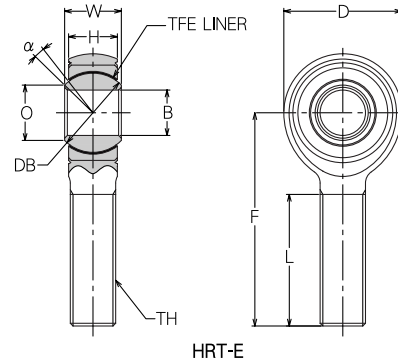
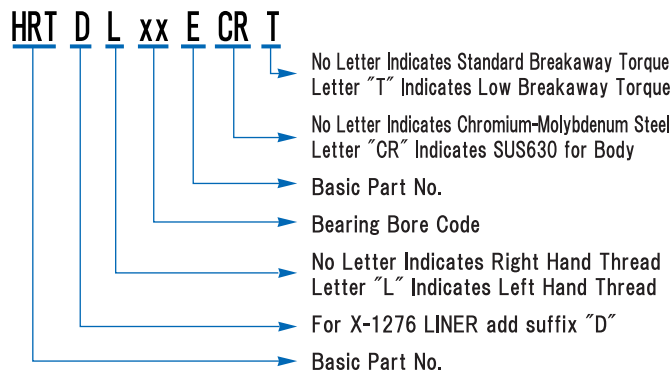
HRT-E

MALE ROD ENDS **SELF-LUBRICATING** **3 PIECE**

Materials

	HRT-E	HRT-ECR
BODY	Chromium-Molybdenum Steel Zinc Plated	SUS630 Stainless Steel Passivated
RACE	410 Stainless Steel / Heat Treated	410 Stainless Steel / Heat Treated
BALL	440C Stainless Steel / Heat Treated	440C Stainless Steel / Heat Treated
LINER	Teflon / Fabric	Teflon / Fabric

Description of Types



Dimensions in mm

MINEBEA Part No.	φB H7	φD ± 0.50	W ₀ - 0.13	H ± 0.13	F ± 0.5	TH JIS Class 2	L ± 0.7	α (deg)	φ O Ref.	S φ DB Ref.	No Load Rotational Breakaway Torque N · m	Static Limit Load kN(3)		Radial Static Ultimate Load (3) kN	Fatigue Load (3) kN	Approx. Weight g
											Standard	Radial	Axial (2)			
HRT3E	3	16.0	7.0	5.25	30.0	M3 × 0.5	10.0	18	5.2	8.73	0.06 ~ 0.68 {0.6 ~ 6.9kgf · cm}	3.62	1.96	4.51	0.73	25
HRT4E	4	18.0	9.5	7.75	35.0	M4 × 0.7	16.0	16	5.8	11.11		6.27	3.53	7.84	1.27	30
HRT5E	5	20.5	11.0	8.75	39.5	M5 × 0.8	22.0	15	7.8	13.49	0.12 ~ 1.13 {1.2 ~ 11.5kgf · cm}	10.29	5.09	12.84	2.10	35
HRT6E	6					M6 × 1.0						14.51		18.14	2.99	
HRT8E	8	23.0	8.25	46.0	M8 × 1.25	29.0	14	10.9	15.48	26.77		5.29	33.44	5.54	40	
HRT10E	10	26.0	10.75	47.0	M10 × 1.5					8		12.2	17.46	37.65	6.76	47.07
HRT12E	12	34.0	16.0	13.25	62.0	M12 × 1.75	37.0	10	15.4	22.22	100.71	9.70	125.81	20.98	195	
HRT14E	14	36.0	17.0	14.25	64.0	M14 × 2.0	38.0	8	18.9	25.40						82.96
HRT15E	15	38.0	18.0	15.25	65.0						M16 × 2.0	39.5	10	19.2	26.99	101.40
HRT16E	16	39.0	19.0		72.5	M16 × 1.5	42.0	12	20.4	28.58						120.62
HRT17E	17	41.0	20.0	16.30	79.5	M18 × 1.5	46.0	10			22.9	31.75	121.30	12.84	151.61	25.20
HRT18E	18	43.0			83.0	M20 × 1.5	50.0	13	27.1	34.92			156.21	15.10	195.25	32.55
HRT20E	20	45.0	22.0	19.30	86.0	M22 × 1.5	51.0	6	27.1	34.92	0.23 ~ 1.80 {2.3 ~ 18.4kgf · cm}	300.08	20.88	375.10	62.56	1150
HRT22E	22	52.0			105.0	M24 × 2.0	59.0	15	32.3	47.62		283.70	23.24	354.60	59.13	1500
HRT25E	25	70.0	35.0	25.30	110.0	M27 × 2.0	62.0	14	36.8	50.80		271.93	24.81	339.89	56.68	1800
HRT28E	28	75.0			120.0	M30 × 2.0	65.0					40.4	54.77			
HRT30E	30	78.0	37.0	26.30	120.0	M30 × 2.0	65.0	14	40.4	54.77						

Notes

- Teflon liner permanently bonded to race I.D.
 - Axial load indicates either the smaller value of static load or proof load.
 - Special specification can bare higher fatigue load.
 - Made to order only.
 - No Load Rotational Breakaway Torque.
Low Torque All Size: 0.02N · m MAX
(Radial Clearance 0.05mm MAX)
- Please consult MINEBEA for availability of bearings in this series.

Bore size	~ 3	~ 6	~ 10	~ 18	~ 30
H7 Tolerance (μm)	+ 10 0	+ 12 0	+ 15 0	+ 18 0	+ 21 0